

4

3

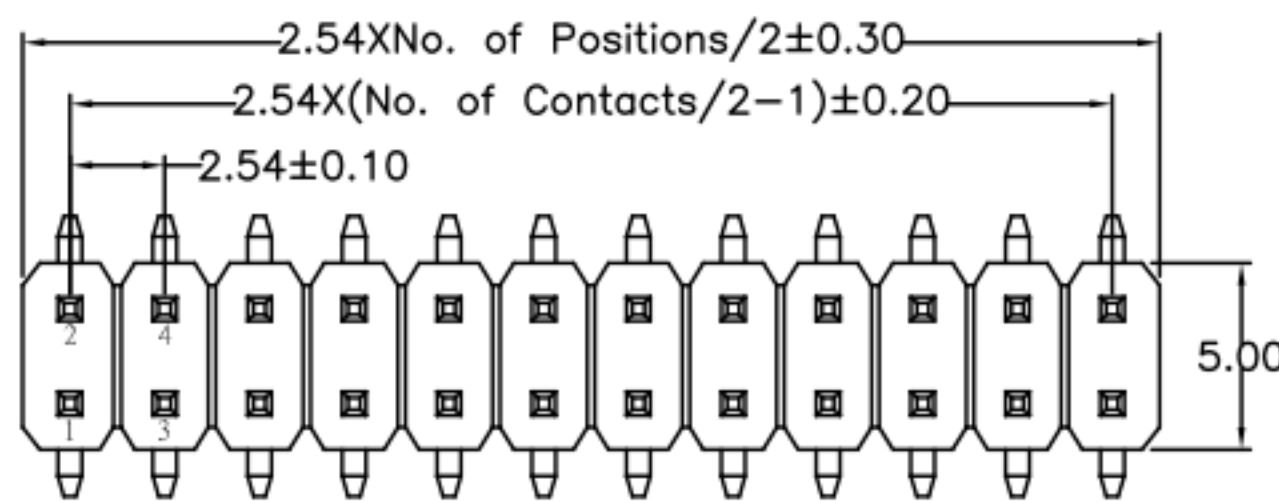
2

1

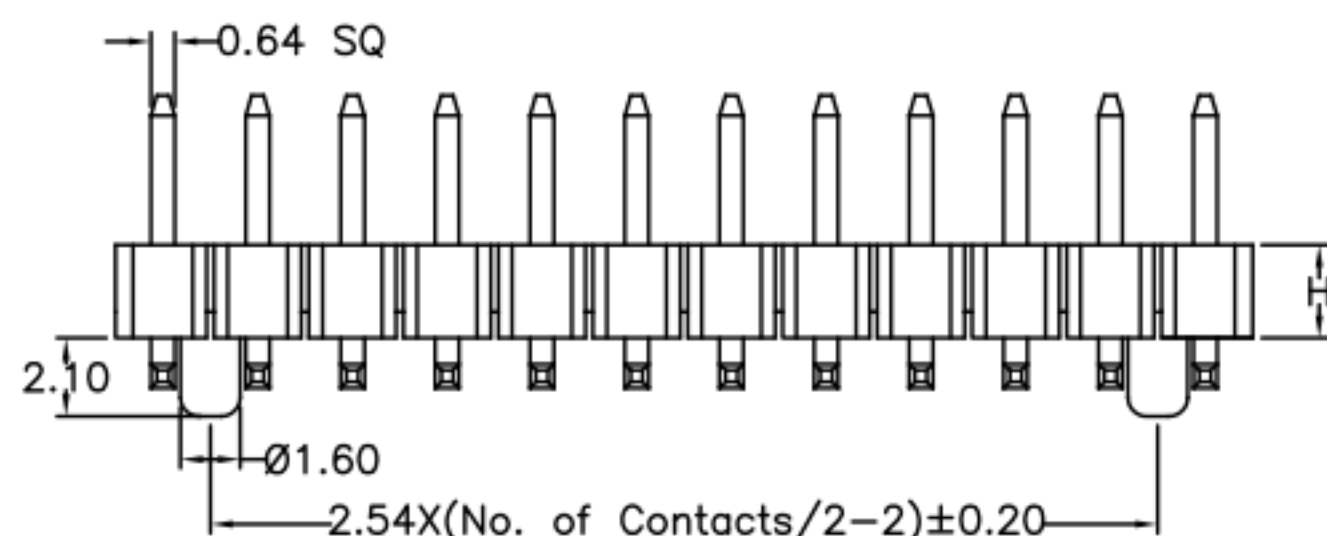


REVISION DATA				
SYM	REV	DESCRIPTION	DATE	APPR.
	00	new part	22.03.17	MR
	01	updated tolerance	03.01.23	CB

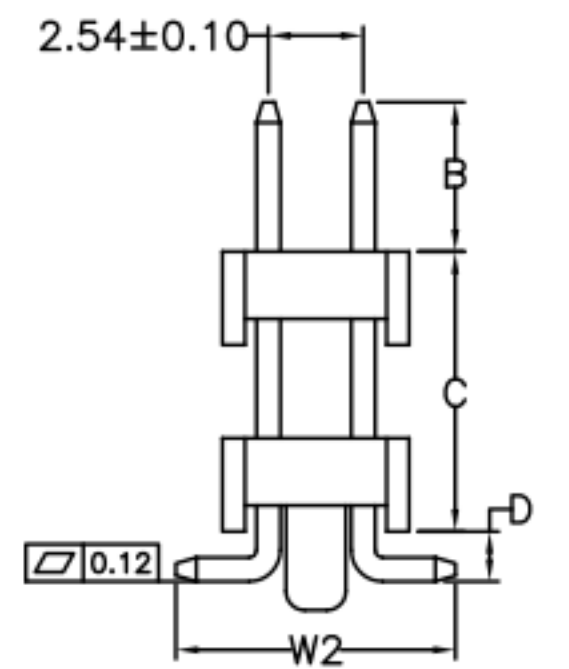
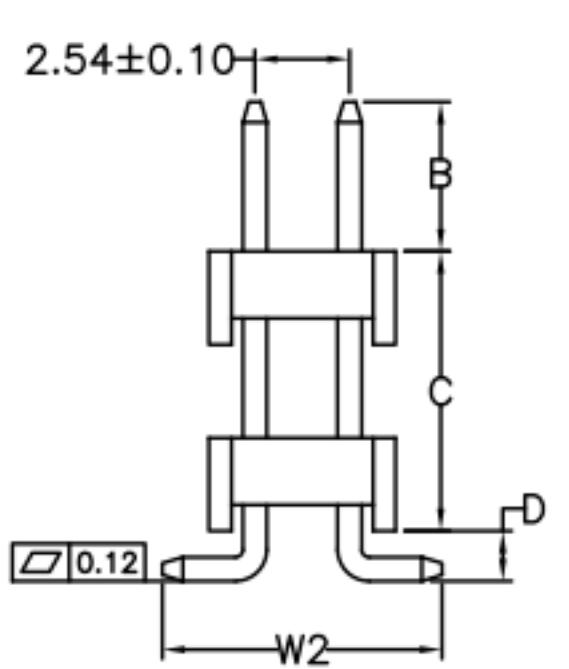
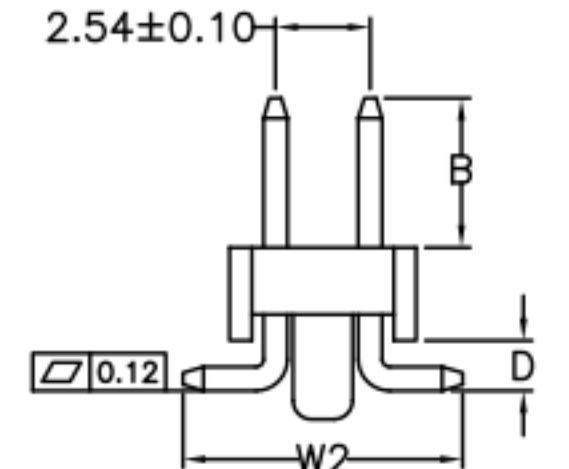
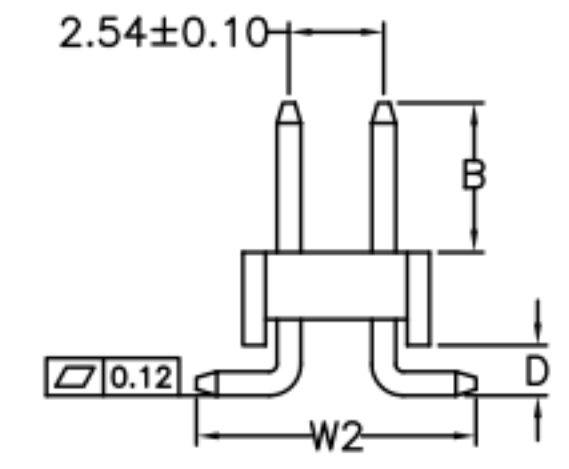
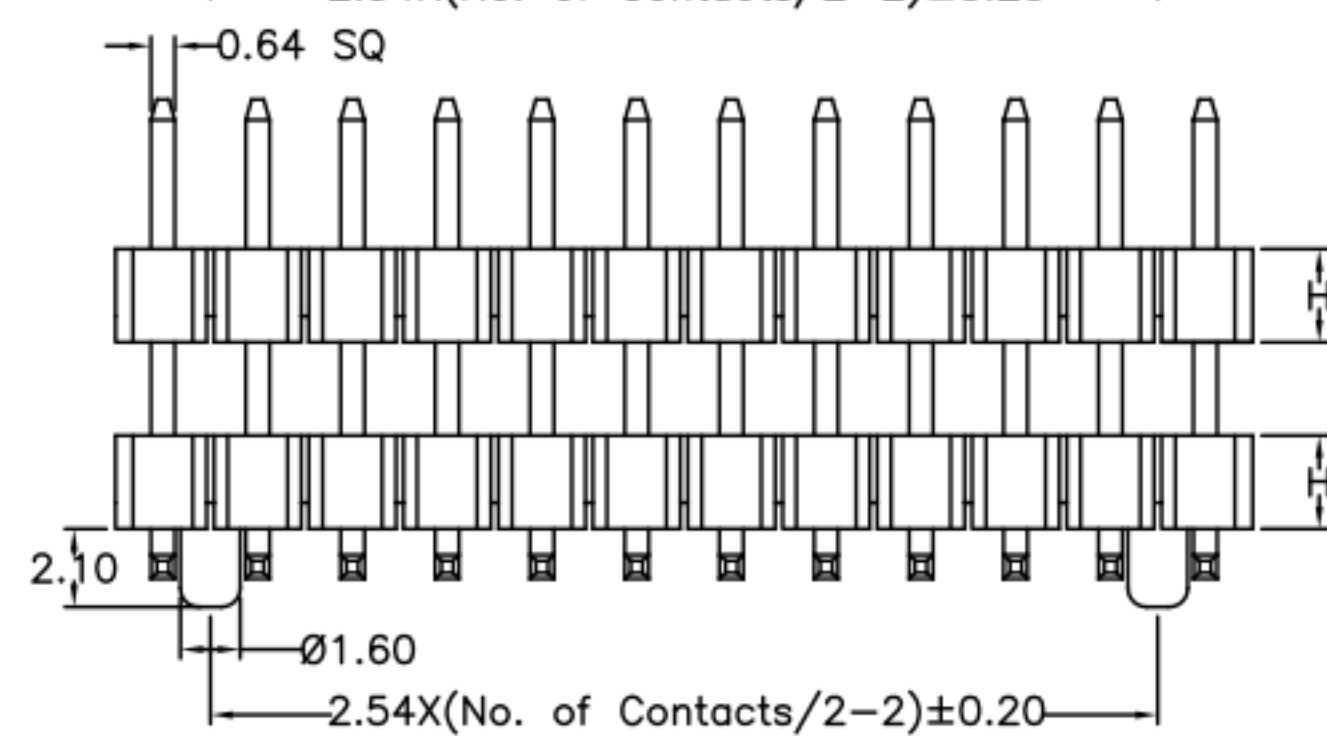
D



C



B



Electrical
Current rating: 3Amps/contact max.
Contact resistance: ≤ 20mΩ/contact
Isolation resistance: ≥ 1000MΩ at V=100V
Withstanding Voltage: 550V AC/minute

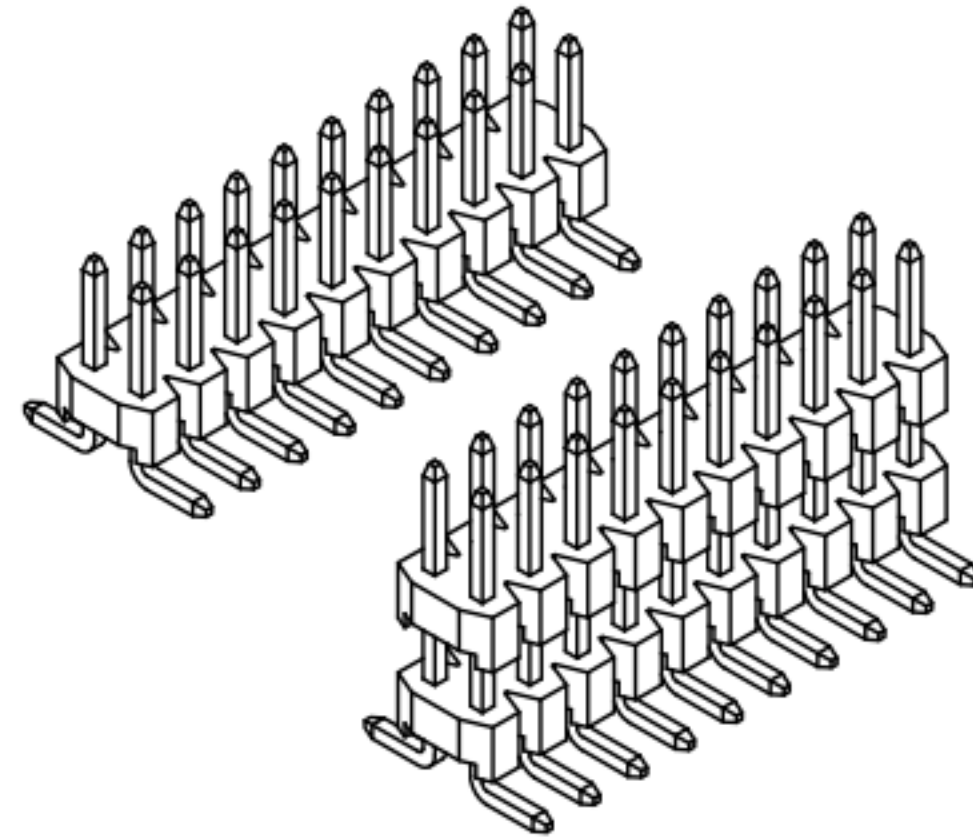
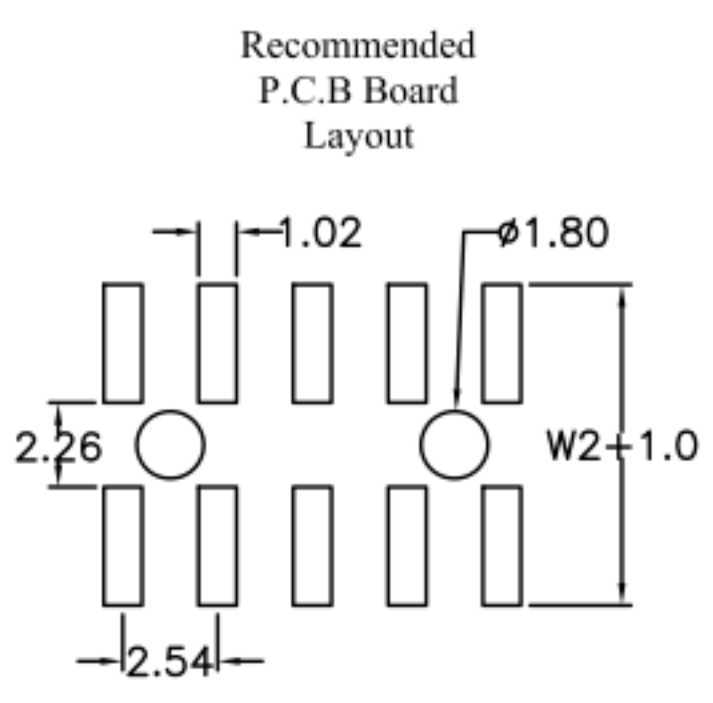
Material
Contact: Brass
Isolator: High Temperature, Thermoplastic UL94V-0

Operating temperature: Gold plated: -55°C to +105°C
 Tin plated: -40°C to +105°C

order information

A254152	-	xx	xx	xx	xx	xx	xx	xx
No. of Positions		Plating Option	No. of Insulators	Insulator Height	Type	Packaging	Dimension	Special Customer
04~80		01= gold flash 10= 10µ" gold xx= on request	1=1pcs 2=2pcs xx=on request	15= H= 1.50mm 17= H= 1.70mm 20= H= 2.00mm 25= H= 2.50mm xx= on request	1= with peg 2= without peg xx= on request	F= tape&reel with cap C= tube E= tube&cap xx= on request	B/ D/ W2 B/ C/ D/ W2 xx= on request	

A



Dual Row Pin Header
Straight SMT Type

<p>Tolerance:</p> <p>X. ±0.30</p> <p>.X ±0.35</p> <p>.XX ±0.25</p> <p>.XXX ±0.10</p> <p>X.° ±5°</p>	PROJECTON		
	DATE	22.03.2017	Customer Drawing- No.:
	DRAWN	MR	Drawing- No.: 2160860
	CHECKED	BR	
	APPROVED	BR	

UNIT: mm

SCALE:

SIZE: A4

4

3

2

1