

RoHS  
REACH  
compliant

REVISION DATA				
SYM	REV	DESCRIPTION	DATE	APPR.
	00	new part	22.03.17	MR

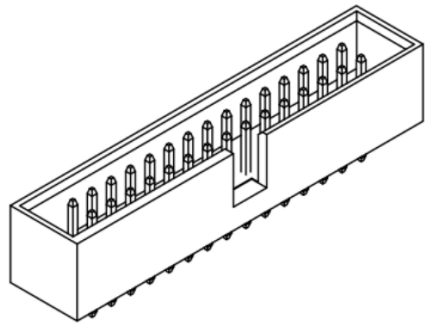
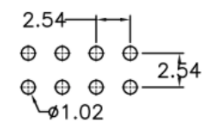
**Electrical**  
**Current rating:** 3Amps/contact max.  
**Contact resistance:** ≤ 20mΩ/contact  
**Isolation resistance:** ≥ 1000MΩ at V=100V  
**Withstanding Voltage:** 550V AC/minute

**Material**  
**Contact:** Brass  
**Isolator:** High Temperature, Thermoplastic UL94V-0  
**Operating temperature:** Gold plated: -55°C to +105°C  
 Tin plated: -40°C to +105°C

**order information**

A254180	-	XX	XX	XX	XX	XX
No. of Positions		Plating Option	Packaging	Dimension	Special Customer	
06~64		01= gold flash xx= on request	B= tray BO= Box xx= on request	A	xx= on request	

Recommended  
P.C.B Board  
Hole Layout



<b>BRCONNECTORS</b> Tolerance: X. ±0.50 .X ±0.30 .XX ±0.20 .XXX ±0.05	PROJECTON		Dual Row Box Header Straight Type		
	DATE	22.03.2017	Customer Drawing-No.:		
	DRAWN	MR	Drawing-No.: 2160864		
	CHECKED	BR			
APPROVED	BR	UNIT:	SCALE:	SIZE:	A4