

4

3

2

1



REVISION DATA				
SYM	REV	DESCRIPTION	DATE	APPR.
	00	new part	12.07.18	MR

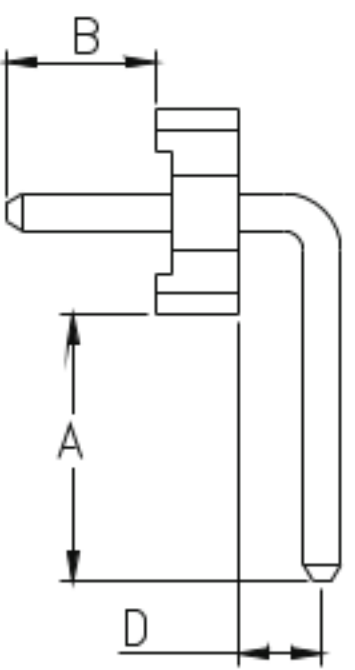
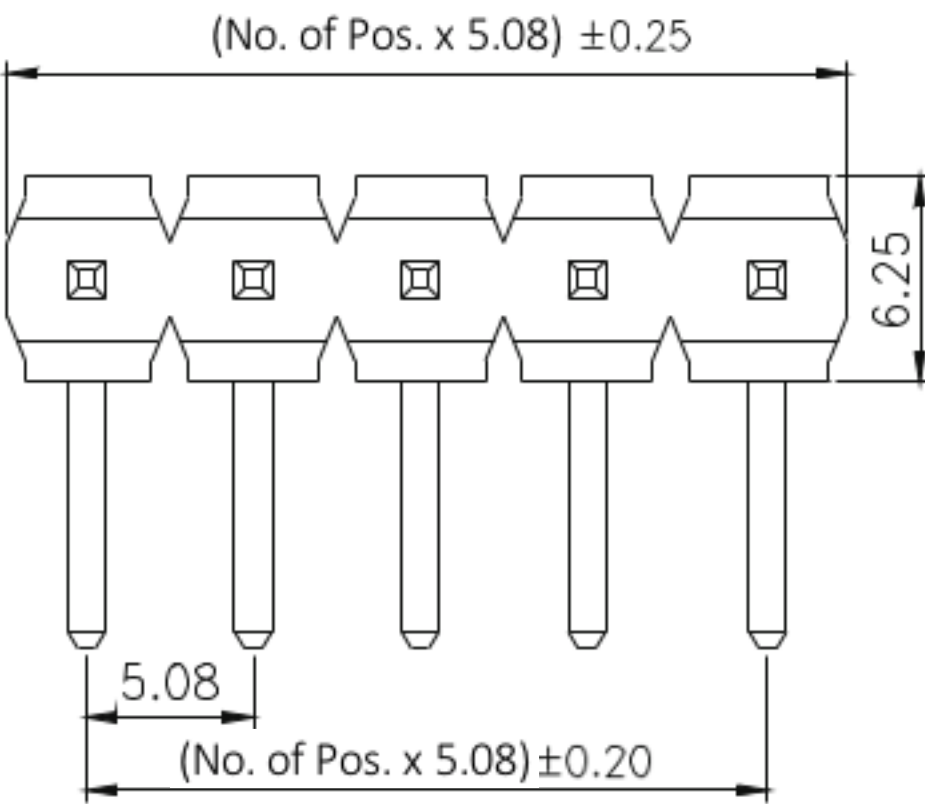
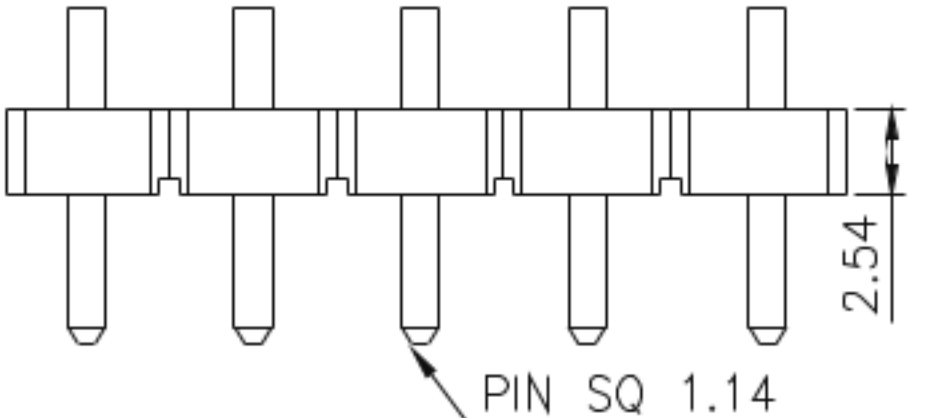
Technical specification

Electrical

Current rating: 7,9 Amps/contact max.
 Contact resistance: $\leq 20m\Omega$ /contact
 Isolation resistance: $\geq 1000M\Omega$
 Withstanding Voltage: 1500V AC/minute

Material

Contact: Brass
 Isolator: High Temperature, Thermoplastic UL94V-0
 Operating temperature: -40°C to +105°C



D

D

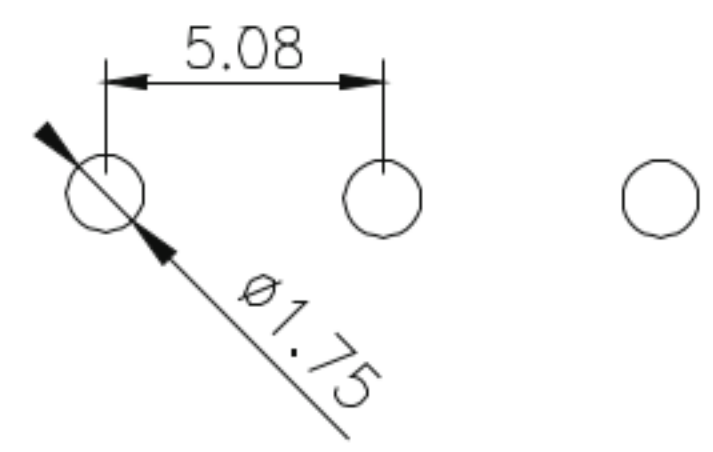
C

C

B

B

A



order information

A508203	XX	XX	XX	XX	XX
No. of Positions	Plating Option	Packaging	Dimension	Special Customer	
02~20	01= gold flash 100= tin xx= on request	BO= Box C= tube xx= on request	A/ B/ D	xx= on request	

		Single Row Pin Header Right Angle Type		
PROJECTON				
DATE	12.07.2018	Customer Drawing- No.:		
DRAWN	MR	Drawing- No.: 2161588		
CHECKED	BR			
APPROVED	BR	UNIT: mm	SCALE:	SIZE: A4